

CABINET WIDTH/TYPE	CABINET SIDE PACK	CABINET SHELF PACK	CABINET DOOR PACK(S)
--------------------	-------------------	--------------------	----------------------

83³/₄" HIGH SINGLE DOOR PANTRY AND BROOM CLOSET

CABINET FEATURES:

PANTRY CABINET:

- two fixed shelves
- three adjustable shelves
- 110° hinges
- if you are designing with cathedral or arch profiled wall cabinets, order the Top Door (H18) with the appropriate profile
- 20-20 user code: **UP1884**

BROOM CABINET:

- one fixed shelf
- 110° hinges
- if you are designing with cathedral or arch profiled wall cabinets, order the Top Door (S1819) with the appropriate profile
- 20-20 user code: **UB1884**

18" PANTRY

OVE30

BC1824

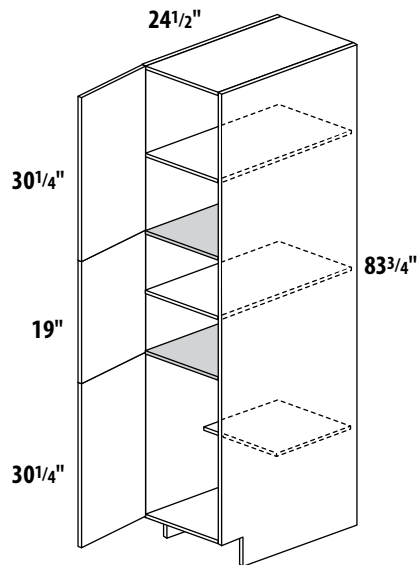
S1819 + H18(2)

18" BROOM

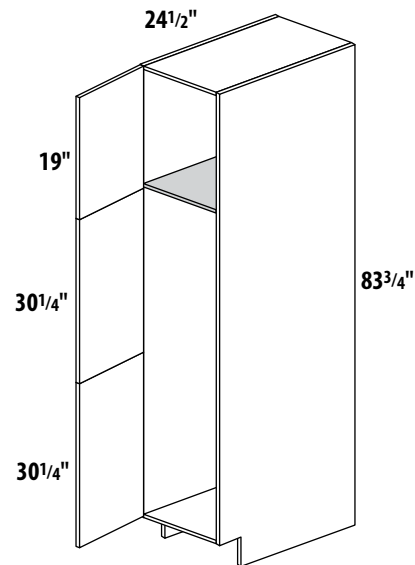
OVE30

BC1824

S1819 + H18(2)



Pantry Cabinet



Broom Cabinet

CABINET WIDTH/TYPE	CABINET SIDE PACK	CABINET SHELF PACK	CABINET DOOR PACK(S)
--------------------	-------------------	--------------------	----------------------

83³/₄" HIGH DOUBLE DOOR PANTRY AND BROOM CLOSET

CABINET FEATURES:

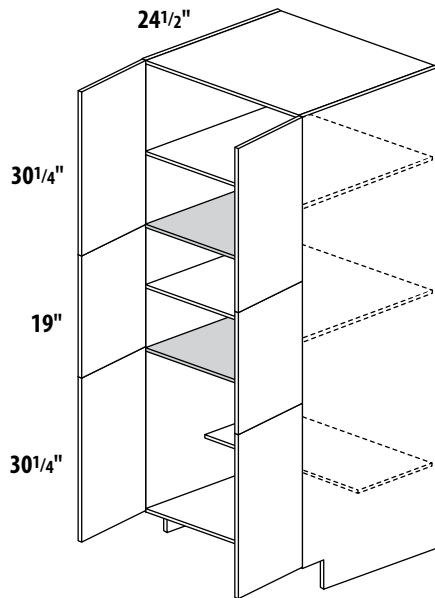
PANTRY CABINETS:

- two fixed shelves
- three adjustable shelves
- 110° hinges
- if you are designing with cathedral or arch profiled wall cabinets, order the Top Doors (H12 (4) or H15 (4)) with the appropriate profile
- 20-20 user codes: **UP2484-2 & UP3084**

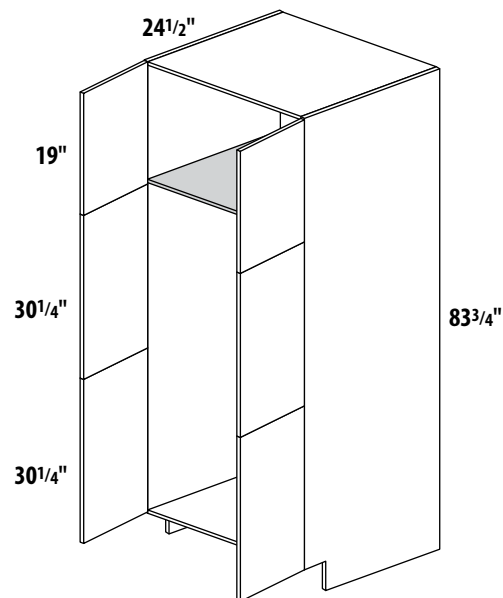
BROOM CABINETS:

- one fixed shelf
- 110° hinges
- if you are designing with cathedral or arch profiled wall cabinets, order the Top Door (S2419 or S3019) with the appropriate profile
- 20-20 user codes: **UB2484-2 & UB3084**

24" PANTRY	OVE30	BC2424	S2419 + H12(4)
24" BROOM	OVE30	BC2424	S2419 + H12(4)
30" PANTRY	OVE30	BC3024	S3019 + H15(4)
30" BROOM	OVE30	BC3024	S3019 + H15(4)



Pantry Cabinet



Broom Cabinet

CABINET WIDTH/TYPE	CABINET SIDE PACK	CABINET SHELF PACK	CABINET DOOR PACK(S)
--------------------	-------------------	--------------------	----------------------

83³/₄" HIGH SINGLE OVEN AND DOUBLE OVEN CABINETS

CABINET FEATURES:

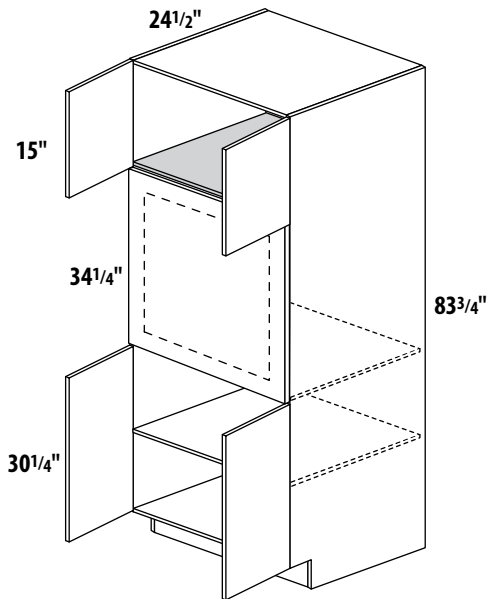
SINGLE OVEN CABINET:

- two fixed, one adjustable and one floating shelves
- 110° hinges
- 5/8" thick oven panel is 34¹/₄" high and 29⁷/₈" wide
- maximum cutout size is 30" high and 25" wide
- cutout to be done on site
- 20-20 user code: **OS3084**

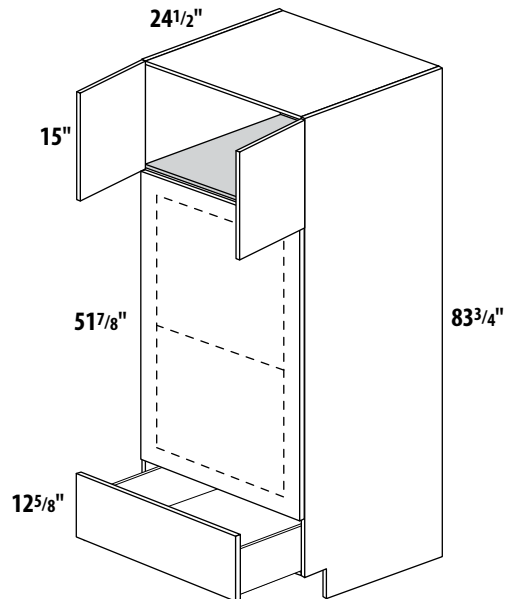
DOUBLE OVEN CABINET:

- two fixed and one floating shelves
- 110° hinges
- 5/8" thick oven panel is 51⁷/₈" high and 29⁷/₈" wide
- maximum cutout size is 46³/₄" high and 25" wide
- cutout to be done on site
- 20-20 user code: **OD3084**

30" SINGLE	OVE30	OVS30	OVFS3084
30" DOUBLE	OVE30	OVS30	OVFD3084



Single Oven Cabinet



Double Oven Cabinet

CABINET WIDTH/TYPE	CABINET SIDE PACK	CABINET SHELF PACK	CABINET DOOR PACK(S)
--------------------	-------------------	--------------------	----------------------

93³/₄" HIGH SINGLE DOOR PANTRY AND BROOM CLOSET

CABINET FEATURES:

PANTRY CABINET:

- two fixed shelves
- four adjustable shelves
- 110° hinges
- if you are designing with cathedral or arch profiled wall cabinets, order the Top Door (H18) with the appropriate profile
- 20-20 user code: **UP1894**

BROOM CABINET:

- one fixed shelf
- 110° hinges
- if you are designing with cathedral or arch profiled wall cabinets, order the Top Door (S1819) with the appropriate profile
- 20-20 user code: **UB1894**

18" PANTRY

OVE30

BC1824

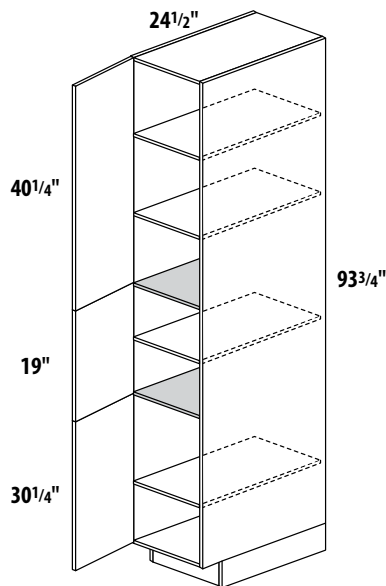
S1819 + H18(2)

18" BROOM

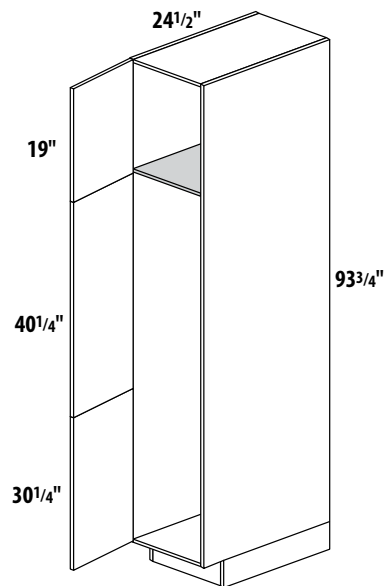
OVE30

BC1824

S1819 + H18(2)



Pantry Cabinet



Broom Cabinet

CABINET WIDTH/TYPE	CABINET SIDE PACK	CABINET SHELF PACK	CABINET DOOR PACK(S)
--------------------	-------------------	--------------------	----------------------

93³/₄" HIGH DOUBLE DOOR PANTRY AND BROOM CLOSET

CABINET FEATURES:

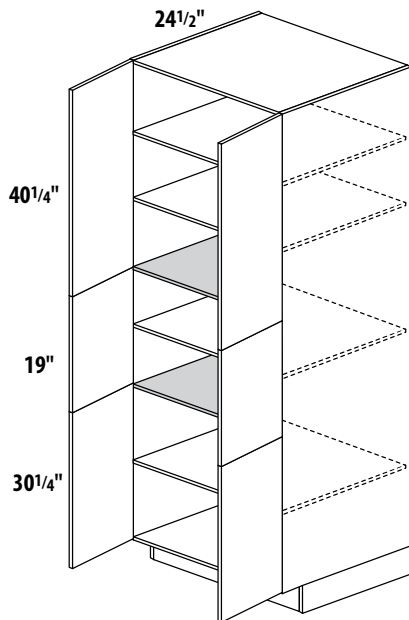
PANTRY CABINETS:

- two fixed shelves
- four adjustable shelves
- 110° hinges
- 20-20 user codes: **UP2494-2** & **UP3094**

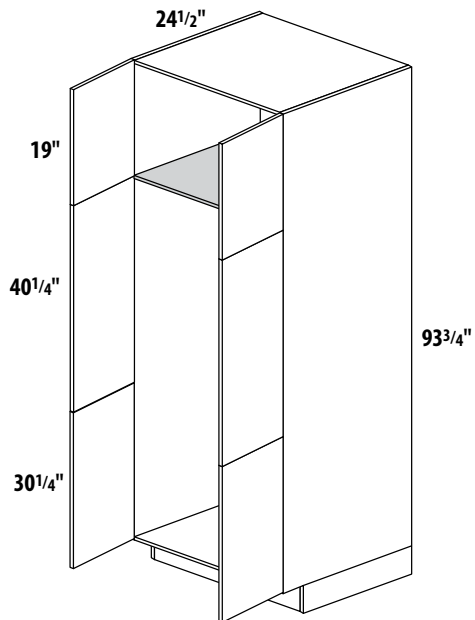
BROOM CABINETS:

- one fixed shelf
- 110° hinges
- 20-20 user codes: **UB2494-2** & **UB3094**

24" PANTRY	OVE30	BC2424	S2419 + H12(4)
24" BROOM	OVE30	BC2424	S2419 + H12(4)
30" PANTRY	OVE30	BC3024	S3019 + H15(4)
30" BROOM	OVE30	BC3024	S3019 + H15(4)



Pantry Cabinet



Broom Cabinet

CABINET WIDTH/TYPE	CABINET SIDE PACK	CABINET SHELF PACK	CABINET DOOR PACK(S)
--------------------	-------------------	--------------------	----------------------

93³/₄" HIGH SINGLE OVEN AND DOUBLE OVEN CABINETS

CABINET FEATURES:

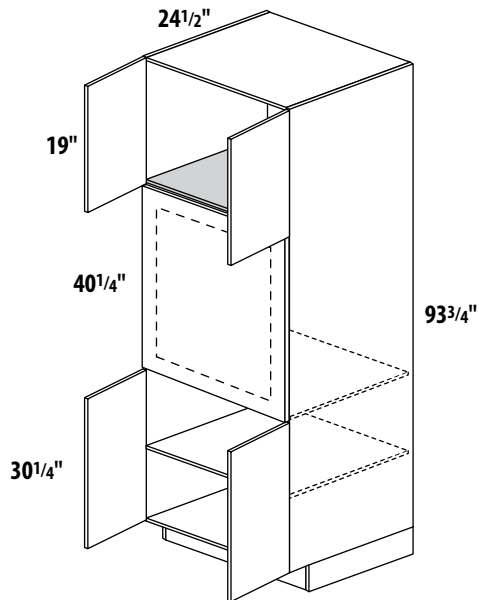
SINGLE OVEN CABINET:

- one fixed, one adjustable and one floating shelves
- 110° hinges
- 5/8" thick oven panel is 40¹/₄" high and 29⁷/₈" wide
- maximum cutout size is 35¹/₄" high and 25" wide
- cutout to be done on site
- 20-20 user code: **OS3094**

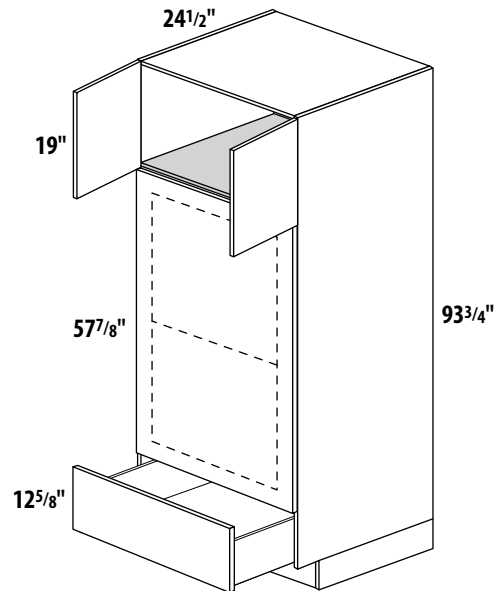
DOUBLE OVEN CABINET:

- two fixed, one adjustable and two floating shelves
- 110° hinges
- 5/8" thick oven panel is 57⁷/₈" high and 29⁷/₈" wide
- maximum cutout size is 52³/₄" high and 25" wide
- cutout to be done on site
- 20-20 user code: **OD3094**

30" SINGLE	OVE3094	OVS30	OVFS3094
30" DOUBLE	OVE3094	OVS30	OVFD3094



Single Oven Cabinet



Double Oven Cabinet